

AME SERIES

ETFE Lined Magnetic Drive Pump

- **High durability**
- **High security**
- **High corrosion resistance**



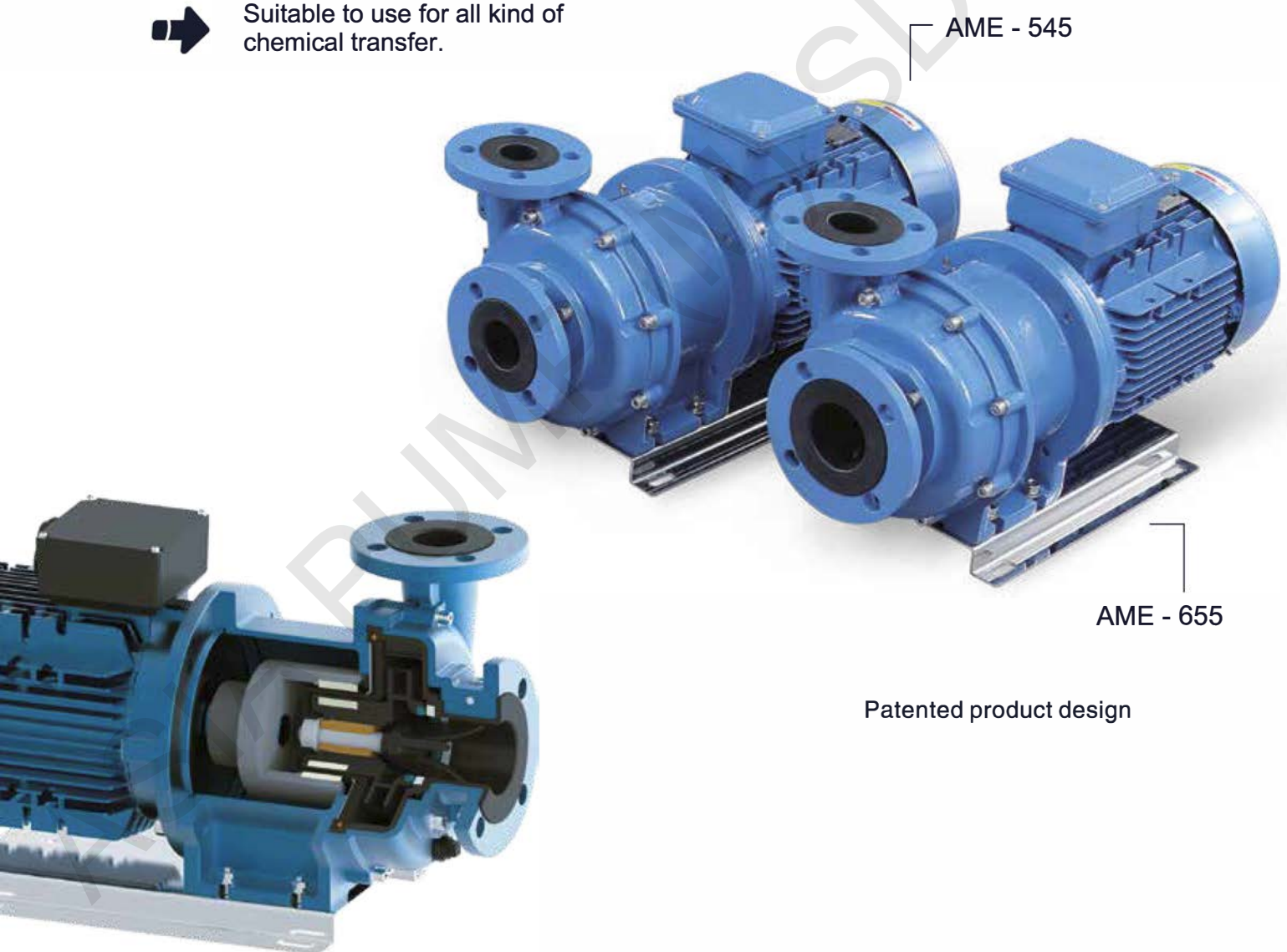
No leak, Running quiet



Compact structure, durable and efficient.



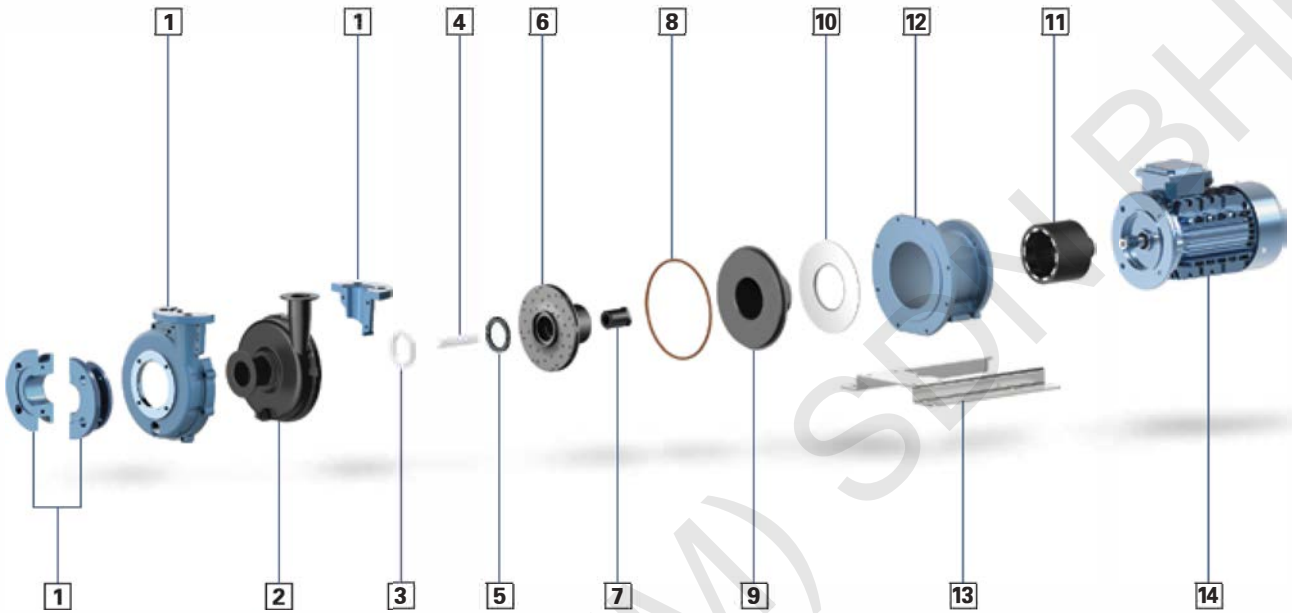
Suitable to use for all kind of chemical transfer.



AME SERIES

ETFE Lined Magnetic Drive Pump

MATERIAL



NO.	Description	ACE	ACV	ARE	ARV	AAE	AAV	SSE	SSV
1	Cover for front casing	FCD600							
2	Pump casing	CFRETFE							
3	Front thrust ring	CERAMIC						SSIC	
4	Shaft	CERAMIC							
5	Wear resistant ring	PTFE						SSIC	
6	Impeller unit	CFRETFE							
7	Bearing	CARBON		PTFE		CERAMIC		SSIC	
8	O-Ring	EPDM	VITON	EPDM	VITON	EPDM	VITON	EPDM	VITON
9	Rear casing	CFRETFE							
10	Backup plate	SUS304							
11	Drive magnet	Nd-Fe-B							
12	Frame	FC							
13	Base frame	SUS304							
14	Motor								

Note: O-ring can choose FFKM.

AME SERIES

ETFE Lined Magnetic Drive Pump



High strength and durable structure

The pump front cover made of ductile cast iron lined with CFRETFE to improve the pump mechanical strength and durability.



Front casing

The inner lined CFRETFE casing is made of injection mould to improve the mechanical strength and durability.



EPDM

VITON

FFKM



CARBON

SSIC

PTFE

CERAMIC

Bearing

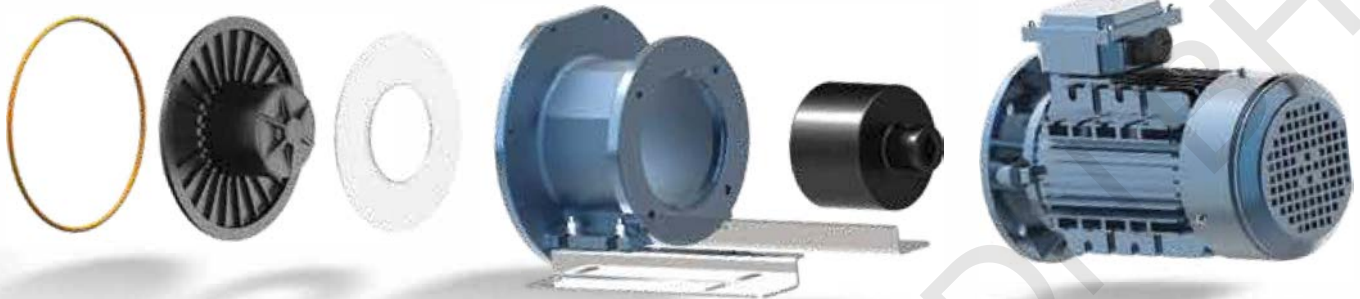
4 different types of bearing materials to choose for different type of chemicals.

O-Ring

3 types of high corrosion resistant material for selection.

AME SERIES

ETFE Lined Magnetic Drive Pump



Impeller unit + magnetic capsule

Integrated impeller and inner magnet unit able to withstand high speed running and high temperature. The magnetic capsule is a rare earth magnet with strong charging force of over 1.5kW.



Enhance Rear Casing

Mechanical strength enhanced rear casing. Reinforced by stainless steel plate to improve the pressure resistance and durability.



Drive magnet

The outer drive magnet having strong support frame to enhance the mechanical strength and precision alignment of the magnet. The strong driving force of magnet is over 1.5kW.



Shaft

Using double point supporting structure to increase the reliability of the pump shaft.

AME SERIES

ETFE Lined Magnetic Drive Pump

MODEL IDENTIFICATION

AME - 5 4 2 F E A C V 5 - C S

① ② ③ ④ ⑤ ⑥ ⑦ ⑧ ⑨ ⑩ ⑪ ⑫

① Series Symbol	AME	⑦ Shaft Material	A: CERAMIC S: SSIC
② Suction Size	4:40A (1½") 5:50A (2") 6:65A (2½")	⑧ Bearing Material	A: CERAMIC C: CARBON R: PTFE S: SSIC
③ Discharge Size	2:25A (1") 4:40A (1½") 5:50A (2")	⑨ O-Ring Material	E: EPDM V: VITON K: FFKM
④ Motor Power	0: 1/2HP (0.37kW) 1: 1HP (0.75kW) 2: 2HP (1.5kW) 3: 3HP (2.2kW) 5: 5HP (3.75kW)	⑩ Code of impeller	5: 50HZ 6: 60HZ
⑤ Type of Connection	F: Flange	⑪ Motor type	No code: TEFC Indoor type C: TEFC Outdoor type A: Increased safety type
⑥ Casing Material	E:CFRETFE	⑫ Special code	No code: Standard type S: Special type

SPECIFICATIONS

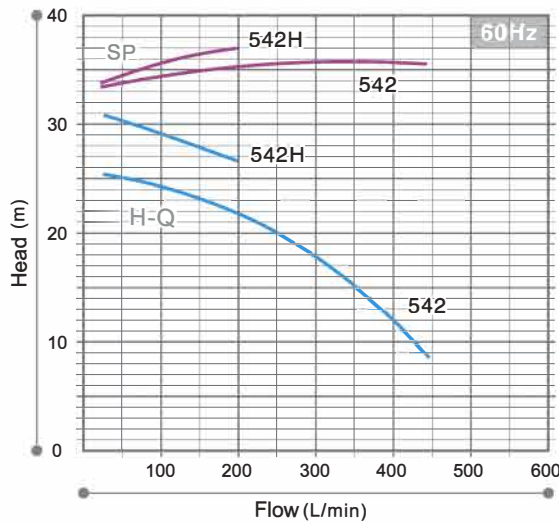
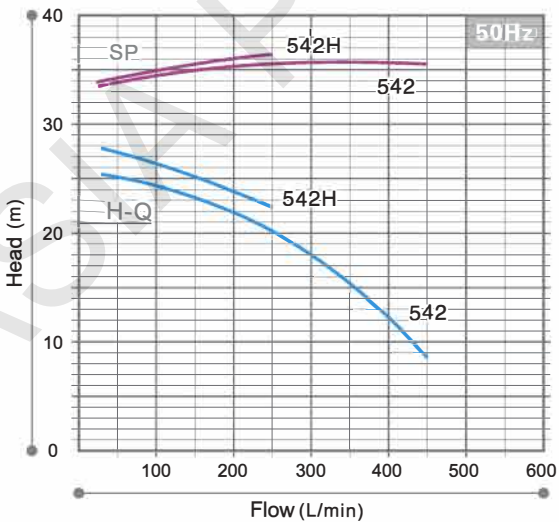
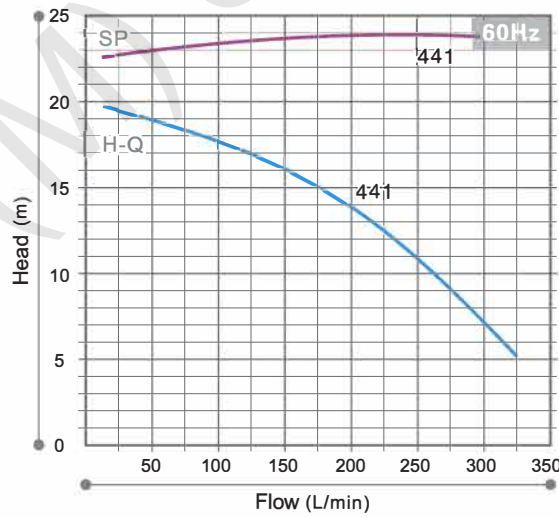
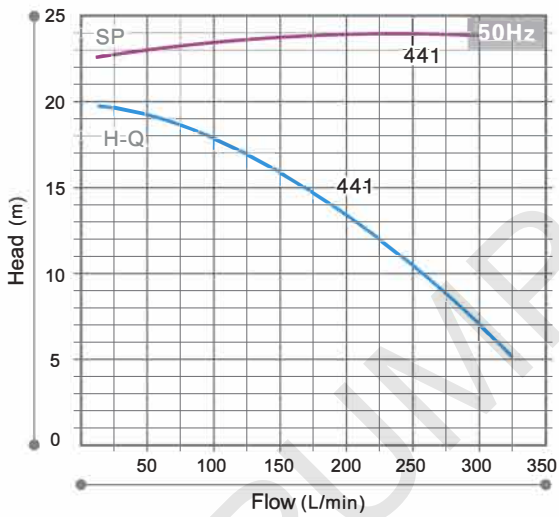
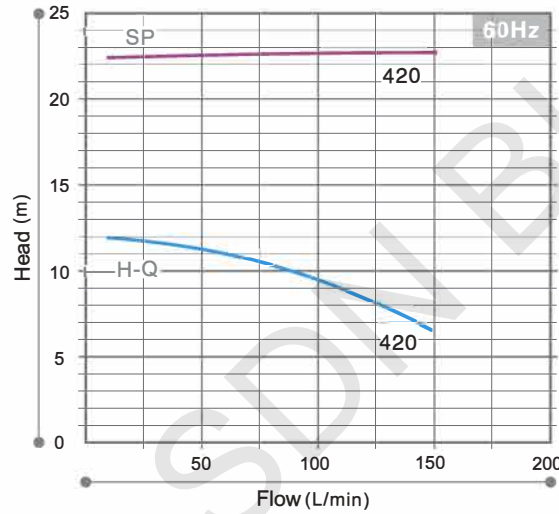
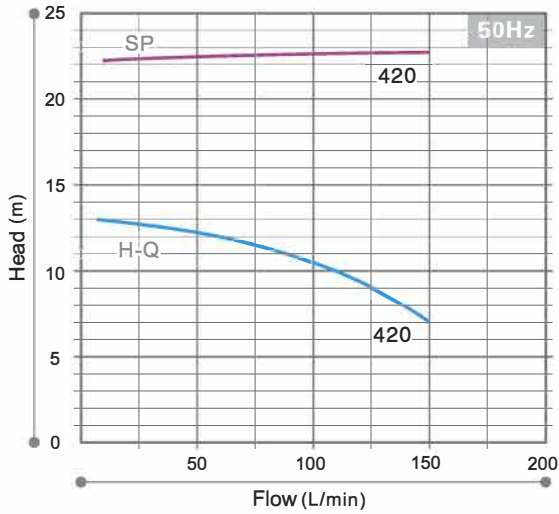
Model	Inlet x Outlet	Rated Capacity (L/min)	Rated Head (m)	Max. Capacity (L/min)	Max. Head (m)	Motor output (kW)
AME-420	40 x 25	100	10.5/9.5	150	13/12	0.37
AME-441	40 x 40	150	15.5	330	19.5	0.75
AME-542	50 x 40	200	22	450	25.5	1.5
AME-542H	50 x 40	100	26.5/29	250/200	28/31	1.5
AME-543	50 x 40	250	26	500	31.5	2.2
AME-543H	50 x 40	150	33	250	35/36	2.2
AME-545	50 x 40	250	31/35	520	36/40	3.7
AME-653	65 x 50	400	18	600	20	2.2
AME-655	65 x 50	500	26	860	28/29	3.7

Liquid temperature range: CFRETFE:0-100°C.

AME SERIES

ETFE Lined Magnetic Drive Pump

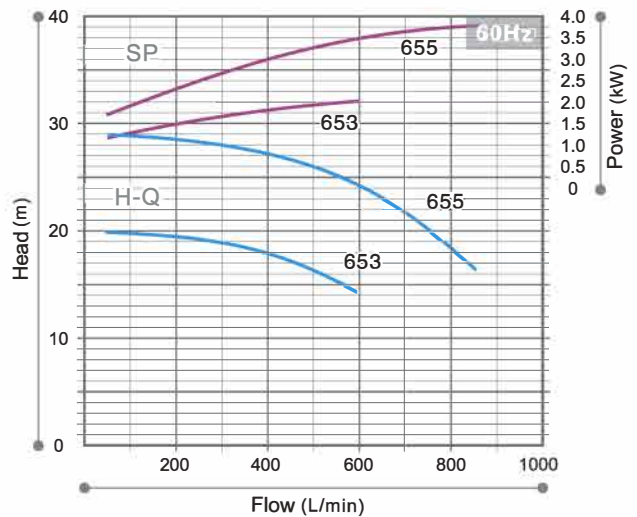
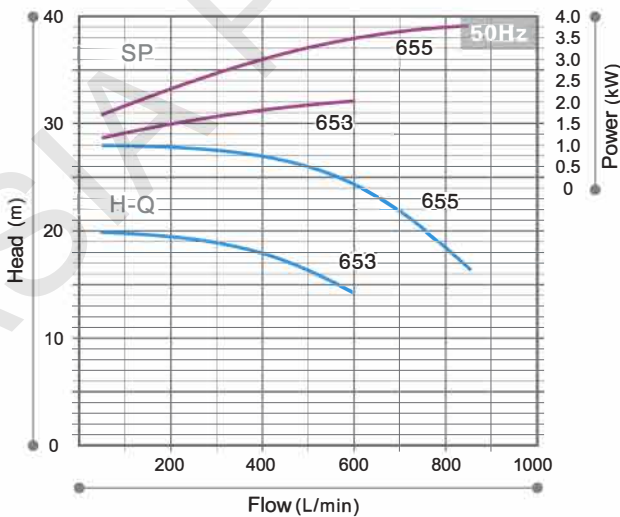
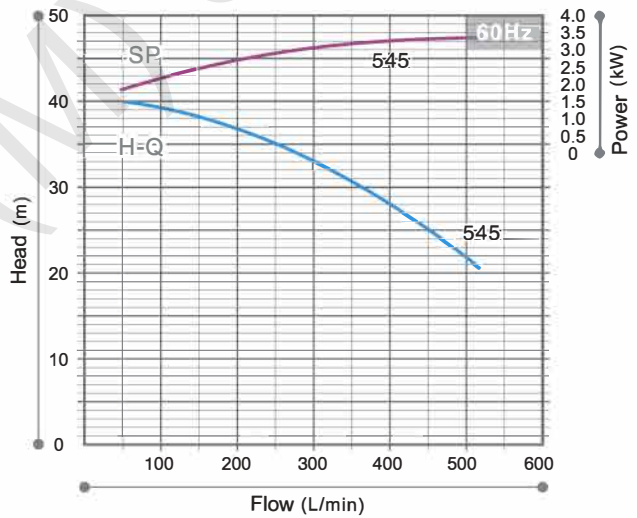
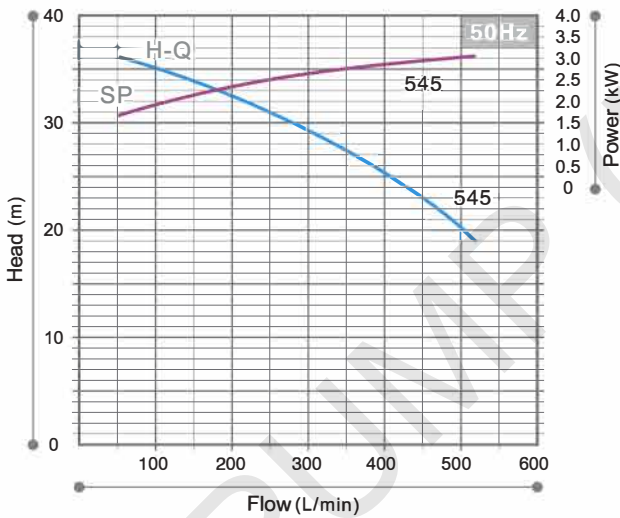
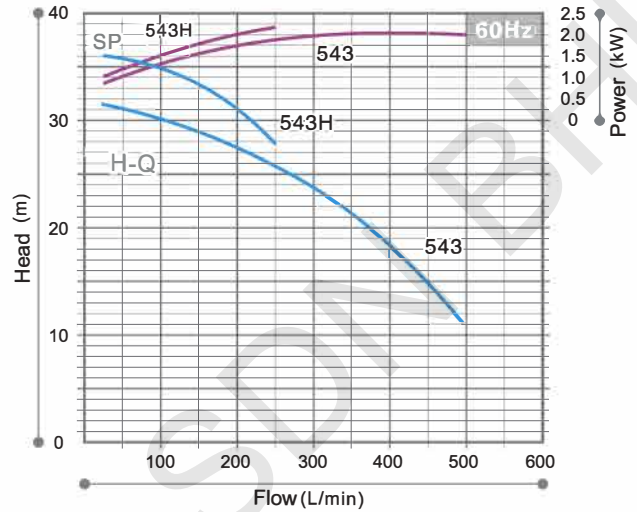
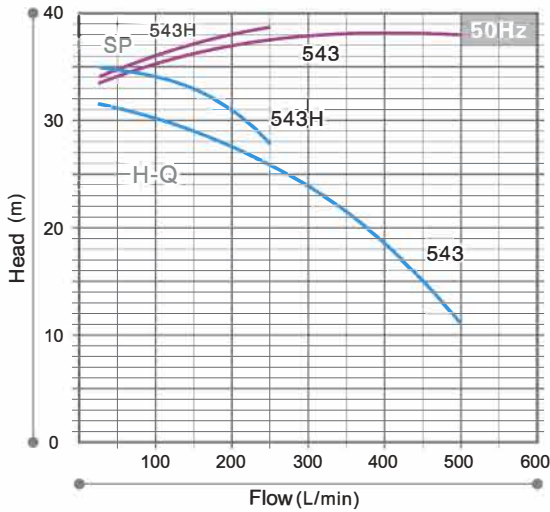
PERFORMANCE CURVES



AME SERIES

ETFE Lined Magnetic Drive Pump

PERFORMANCE CURVES

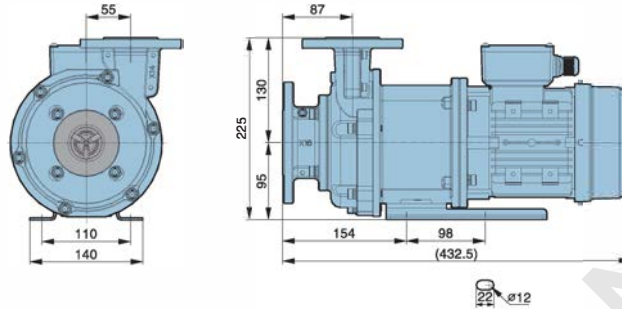


AME SERIES

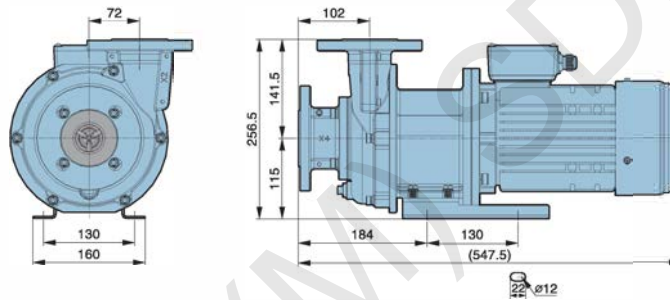
ETFE Lined Magnetic Drive Pump

DIMENSIONAL DRAWING, PART DRAWING

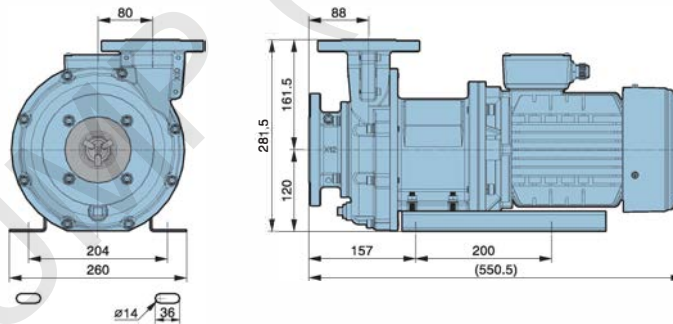
AME-420



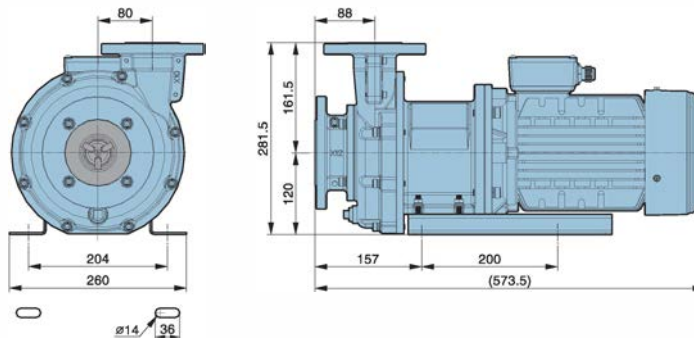
AME-441



AME-542



AME-543



► **NOTICE:**

The full length of the pump will be different, it depends on the motor brand or manufacturer and type.

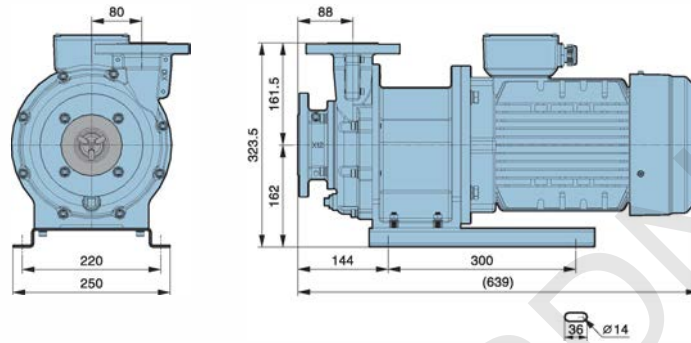
Parameters and picture may change without duplicate notification.

AME SERIES

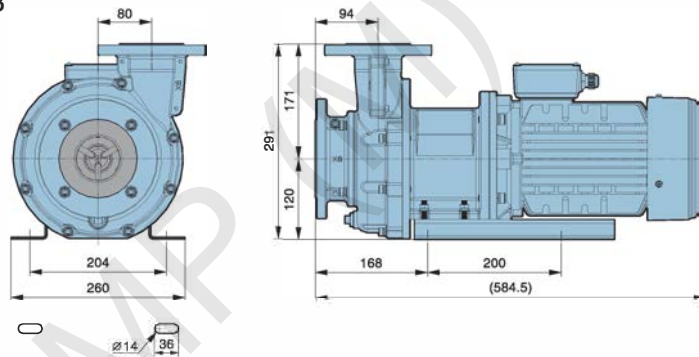
ETFE Lined Magnetic Drive Pump

DIMENSIONAL DRAWING, PART DRAWING

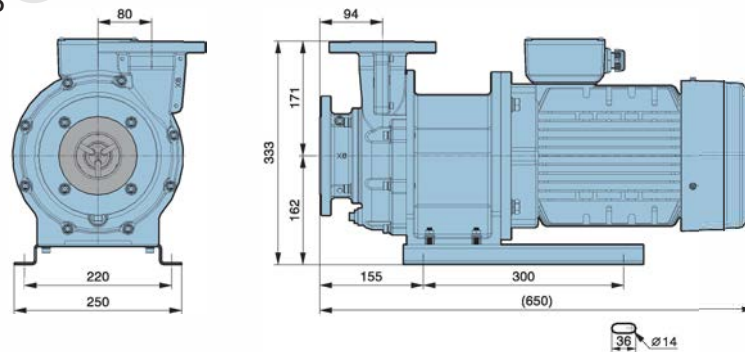
AME-545



AME-653



AME-655



► **NOTICE:**

The full length of the pump will be different, it depends on the motor brand or manufacturer and type.

Parameters and picture may change without duplicate notification.

ASIA PUMP (M) SDN BHD (123884-X)

No. 14 Jalan IKS Bukit Tengah,
Taman IKS Bukit Tengah, 14000
Bukit Mertajam, Penang Malaysia.
Tel: +604-508 8848 H/P: +6012-955 8646
Email: sales@asiapump.com.my
Web: www.asiapump.com.my

ASIA PUMP (SHENZHEN) CO., LIMITED

1-1st Factory, Xitou Community Industrial
Zone One Road, Songgang town, Bao'an District,
Shenzhen, China.
Tel: +86-755-237 16934 Fax: +86-755-23729910
Email: huanya@asiapump123.com
Web: www.asiapump123.com

ASIA PUMP (HONGKONG) CO., LIMITED

Room 1318-19, Hollywood Plaza,
610 Nathan Road, Mongkok,
Kowloon, Hong Kong.
Tel: (852) 2710 8200 (EXT)83889
Fax: (852) 2710 8266



Website QR Code

Distributor / Sales Agent