

# AMD SERIES

## Large Flow Magnetic Drive Pump

### **No Leak, Durable and High Efficiency**

The pump body is completely sealed to prevent liquid leakage, and hence preventing pollution or corrosion problems caused by many traditional mechanical seal pump. The pump's impeller and magnetic parts are well integrated to avoid damage during high-speed rotation and high temperature. The integrated impeller and inner magnet also reduce the assembly risk and therefore increase the efficiency of the pump.

### **Excellent corrosion resistance thermoplastic mater**

The pump body is made from reinforced polypropylene and enhanced fluoroplastic (PP/GFRPP/PVDF). The pump shaft, bearing and thrust ring made from high corrosion resistant materials such as Ceramic, SSIC, PTFE and Carbon which integrated with seal-less and leaked proof design to ensure the safe transfer of chemicals.

### **Easy to assemble and maintenance**

Most of the pump's parts are molded design for easy to assemble and maintain.



Power : 1.5kw ~ 3.75kw



New design



High efficiency



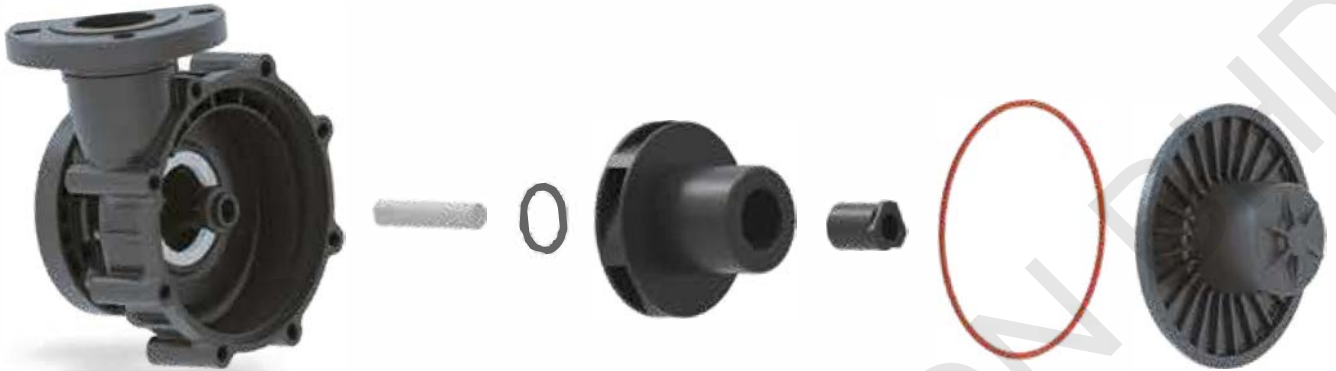
Large flow



**Suitable for large plating equipment  
Dedicated to VCP line**

# AMD SERIES

## Large Flow Magnetic Drive Pump



### Flexible flange

Patented single piece design leak-free flange. Without tightening alignment problem during installation.

### Enhanced front casing

Made of reinforced polypropylene and Enhanced fluoroplastic, which has high corrosion resistance.

Optional material:

GFRPP  
PVDF

CFRPP  
CFRETFE



CERAMIC

SSIC

### Shaft

Using double point supporting structure to increase the reliability of the pump shaft.



CARBON

SSIC



PTFE

CERAMIC

### Bearing

4 different types of bearing materials to choose for different type of chemicals.



EPDM

VITON

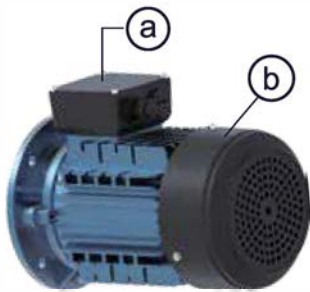
FFKM

### O-Ring

3 types of high corrosion resistant material for selection.

# AMD SERIES

## Large Flow Magnetic Drive Pump



### a. Terminal box

Terminal box of the motor is injection mould of flame retarded reinforce plastic to improve the protective grade of motor.

### b. Motor Fan Cover

Motor fan cover made of injection mould high strength plastic to improve the protective grade of motor.



### Impeller unit + magnetic capsule

Integrated impeller and inner magnet unit able to withstand high speed running and high temperature. The magnetic capsule is a rare earth magnet with strong charging force of over 1.5kW.



### Enhance rear casing

Mechanical strength enhanced rear casing. Reinforced by stainless steel plate to improve the pressure resistance and durability.



### Drive magnet

The outer drive magnet having strong support frame to enhance the mechanical strength and precision alignment of the magnet. The strong driving force of magnet is over 1.5kW.



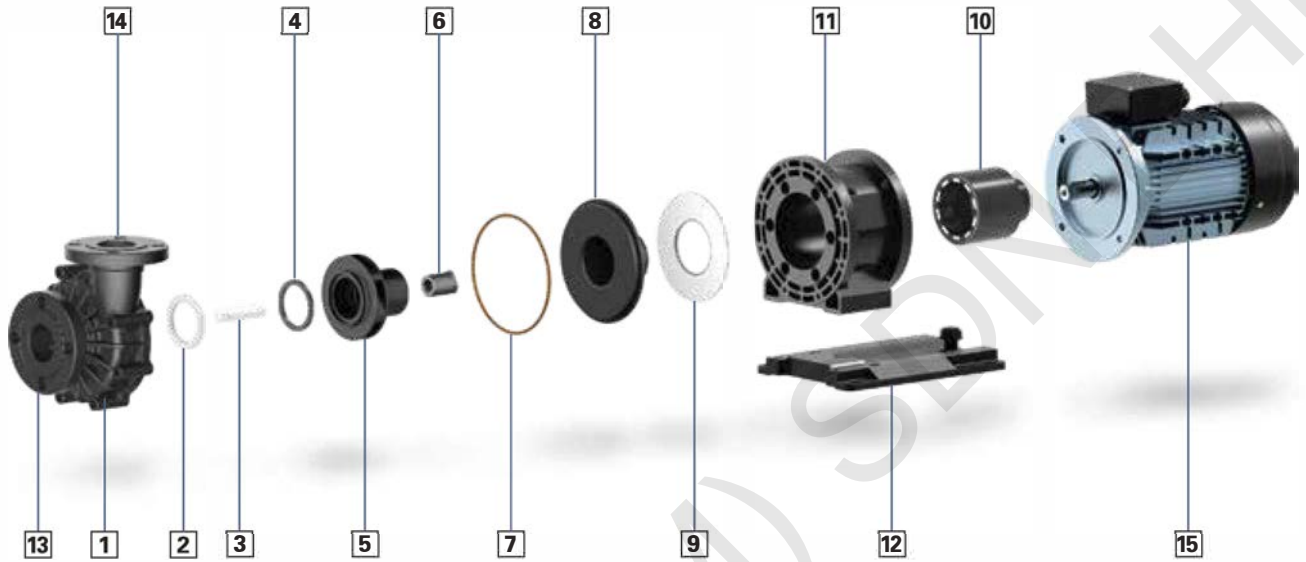
### Plastic support plastic frame

Made of durable and anti corrosion plastic suitable for corrosive environment.

# AMD SERIES

## Large Flow Magnetic Drive Pump

### MATERIAL



NO.	Description	ACE	ACV	ARE	ARV	AAE	AAV	SSE	SSV	
1	Pump casing	GFRPP/ CFRPP/ PVDF/ CFRETFE								
2	Front thrust ring	CERAMIC						SSIC		
3	Shaft	CERAMIC						SSIC		
4	Wear resistant ring	PTFE						SSIC		
5	Impeller unit	GFRPP/ CFRPP/ PVDF/ CFRETFE								
6	Bearing	CARBON		PTFE		CERAMIC		SSIC		
7	O-Ring	Note	EPDM	VITON	EPDM	VITON	EPDM	VITON	EPDM	VITON
8	Rear casing	GFRPP/ CFRPP/ PVDF/ CFRETFE								
9	Backup plate	SUS304								
10	Drive magnet	Nd-Fe-B								
11	Frame	GFRPP								
12	Base frame	GFRPP								
13	Inlet adjustable flange	GFRPP/ CFRPP/ PVDF/ CFRETFE								
14	Outlet adjustable flange	GFRPP/ CFRPP/ PVDF/ CFRETFE								
15	Motor									

Note: O-ring can choose FFKM.

# AMD SERIES

## Large Flow Magnetic Drive Pump

### MODEL IDENTIFICATION

AMD - 6 6 2 F G A C V 5 - C S

①     ②     ③     ④     ⑤     ⑥     ⑦     ⑧     ⑨     ⑩     ⑪     ⑫

① Series Symbol	AMD	⑦ Shaft Material	A: CERAMIC     S: SSIC
② Suction Size	6:65A (2½")	⑧ Bearing Material	A: CERAMIC     C: CARBON R: PTFE     S: SSIC
③ Discharge Size	6:65A (2½")	⑨ O-Ring Material	E: EPDM V: VITON K: FFKM
④ Motor Power	2: 2HP (1.5kW) 3: 3HP (2.2kW) 5: 5HP (3.7kW)	⑩ Code of impeller	5: 50HZ     6: 60HZ
⑤ Type of Connection	F: Flange	⑪ Motor type	No code: TEFC Indoor type C: TEFC Outdoor type A: Increased safety type
⑥ Casing Material	G: GFRPP C: CFRPP P: PVDF E: CFRETFE	⑫ Special code	No code: Standard type S: Special type

### SPECIFICATIONS

Model	Inlet x Outlet	Frequency (HZ)	Rated Capacity (L/min)	Rated Head (m)	Max. Capacity (L/min)	Max. Head (m)	Motor output (kW)
AMD-662	65 x 65	50HZ	600	9	900	14	1.5
AMD-662	65 x 65	60HZ	500	10	850	15	
AMD-663	65 x 65	50HZ	650	11	1050	17	2.2
AMD-663	65 x 65	60HZ	550	12	1000	18	
AMD-665	65 x 65	50HZ	750	15	1230	21	3.7
AMD-665	65 x 65	60HZ	660	17	1250	23	

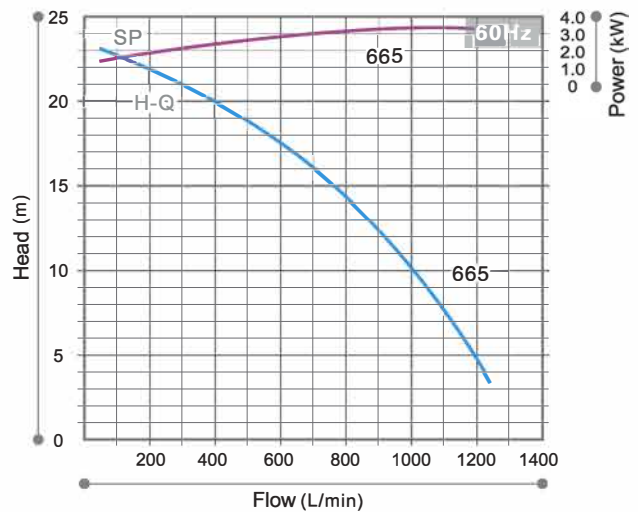
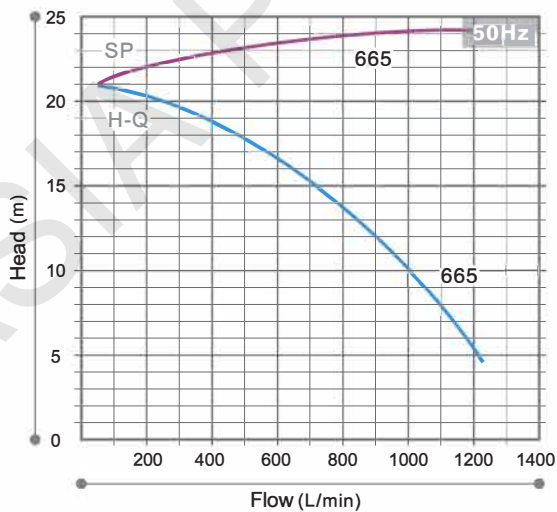
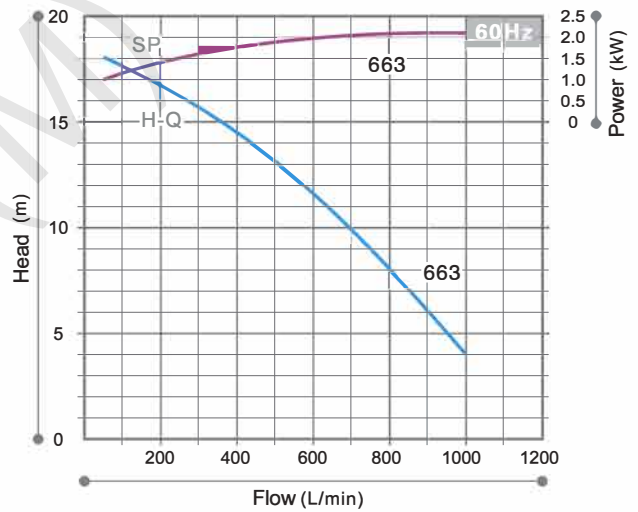
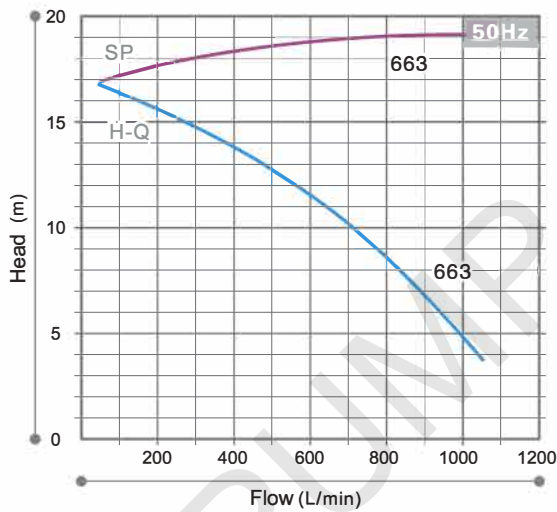
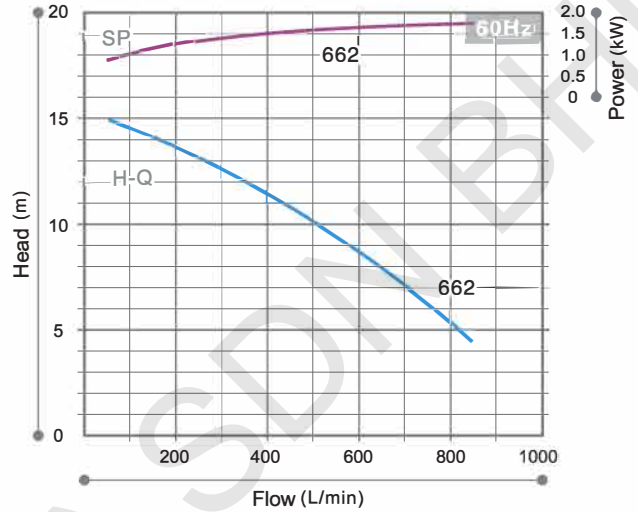
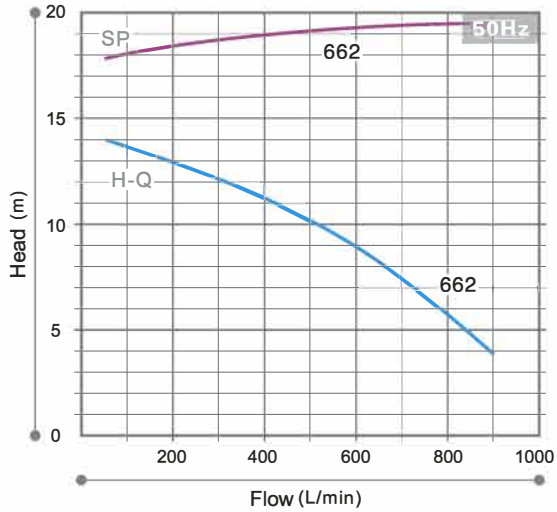
Liquid temperature range: GFRPP:0-80°C, CFRPP:0-80°C, PVDF:0-90°C, CFRETFE:0-100°C。



# AMD SERIES

## Large Flow Magnetic Drive Pump

### PERFORMANCE CURVES

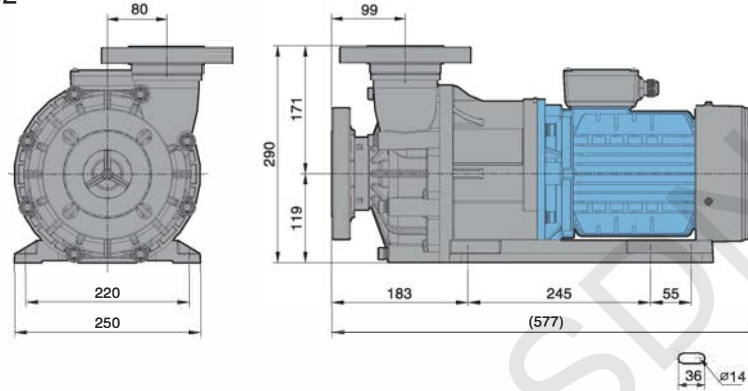


# AMD SERIES

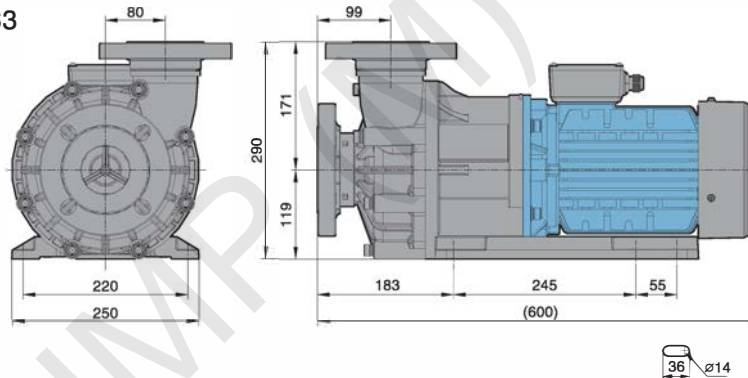
## Large Flow Magnetic Drive Pump

### DIMENSIONAL DRAWING, PART DRAWING

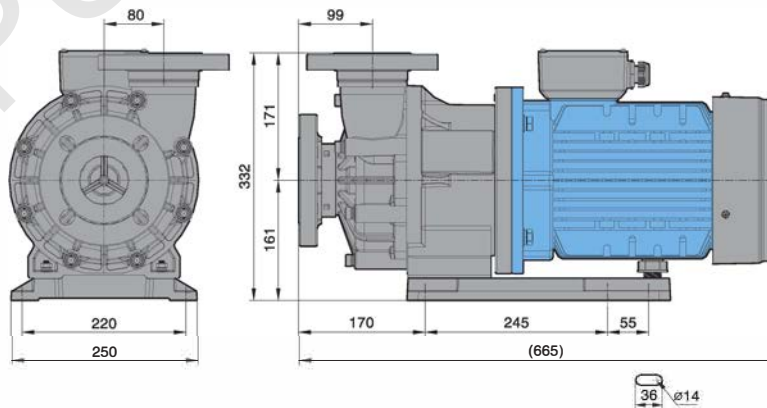
AMD-662



AMD-663



AMD-665



► **NOTICE:**

The full length of the pump will be different, it depends on the motor brand or manufacturer and type.

Parameters and picture may change without duplicate notification.

**ASIA PUMP (M) SDN BHD (123884-X)**

No. 14 Jalan IKS Bukit Tengah,  
Taman IKS Bukit Tengah, 14000  
Bukit Mertajam, Penang Malaysia.  
Tel: +604-508 8848 H/P: +6012-955 8646  
Email: sales@asiapump.com.my  
Web: www.asiapump.com.my

**ASIA PUMP (SHENZHEN) CO., LIMITED**

1-1st Factory, Xitou Community Industrial  
Zone One Road, Songgang town, Bao'an District,  
Shenzhen, China.  
Tel: +86-755-237 16934 Fax: +86-755-23729910  
Email: huanya@asiapump123.com  
Web: www.asiapump123.com

**ASIA PUMP (HONGKONG) CO., LIMITED**

Room 1318-19, Hollywood Plaza,  
610 Nathan Road, Mongkok,  
Kowloon, Hong Kong.  
Tel: (852) 2710 8200 (EXT)83889  
Fax: (852) 2710 8266



Website QR Code

Distributor / Sales Agent